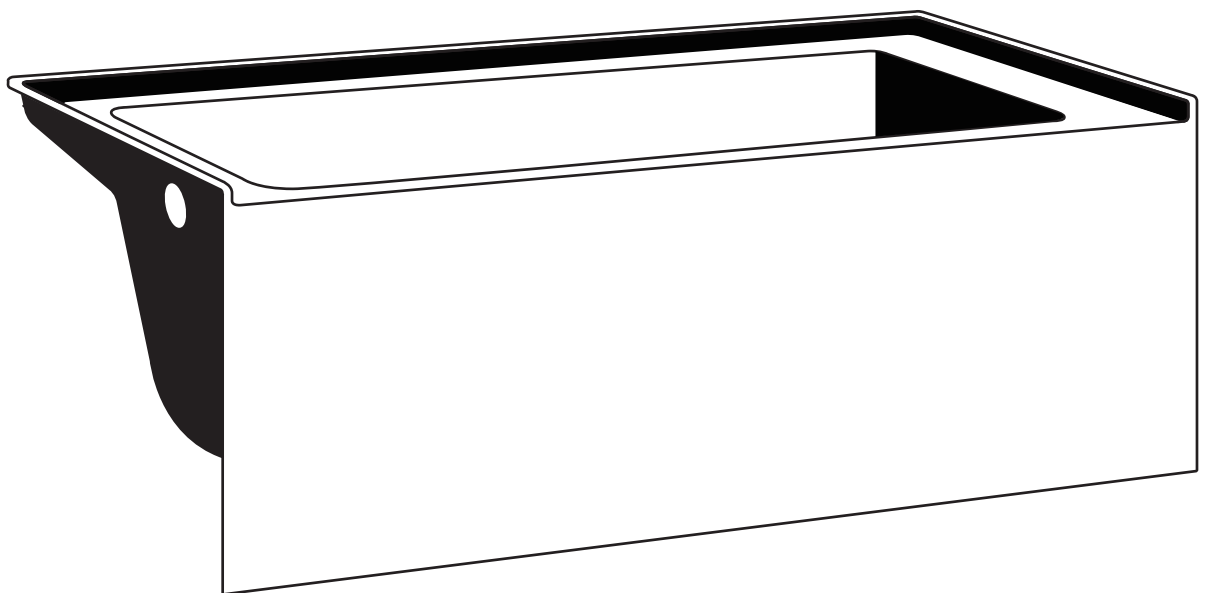


INSTALLATION INSTRUCTIONS

APRON BATHTUB



MODEL # BTA



READ ALL INSTRUCTIONS BEFORE UNPACKING THE PRODUCT

INSTRUCTIONS THAT, IF IGNORED, COULD RESULT IN DEATH OR SERIOUS INJURY CAUSED BY INCORRECT HANDLING OR INSTALLATION OF THE PRODUCT. THESE INSTRUCTIONS MUST BE OBSERVED FOR SAFE INSTALLATION.

CAUTION!



**TWO PERSON
LIFT REQUIRED**

TWO (2) PEOPLE ARE REQUIRED TO LIFT DURING ENTIRE INSTALLATION PROCESS OF THIS PRODUCT.



INSTALLATION OF THIS PRODUCT BY AN INEXPERIENCED INSTALLER MAY RESULT IN PERSONAL INJURY OR DEATH!



We reserves the right to change, update, modify, alter, redesign this manual/product or its policies without prior notice! It is your responsibility to visit the website to download or contact customer service for the most updated version of the installation instructions.

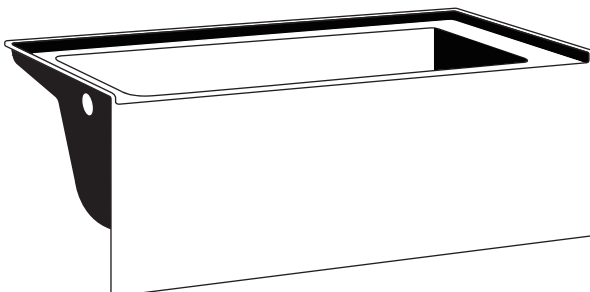
We shall not be liable for any injuries or property damages in connection with this product during installation or use of this product!

- Limited warranty is void on any commercial installation.
- We are not responsible for local code compliance for this product.
- Building and plumbing codes may vary from state-to-state in accordance to your location.
- We are not responsible for providing any compliance certifications.
- We are not responsible to provide any type of certifications for this product.
- Under no circumstances we shall not be liable for any and all incidental damages sustained in connection with this product Neither manufacture, nor distributor, nor retailer is responsible for water damage or flood caused due to use of this product.
- Under no circumstances We shall not be liable for any and all fees, cost of installation/reinstallation/removal, subsequent damage or transportation in case of the product defect.

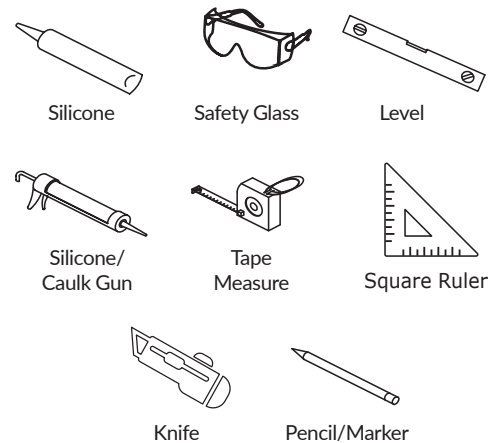
DO NOT ATTEMPT TO INSTALL OR OPERATE THE PRODUCT IF THE PRODUCT IS DAMAGED.

Important points to remember before beginning installation:

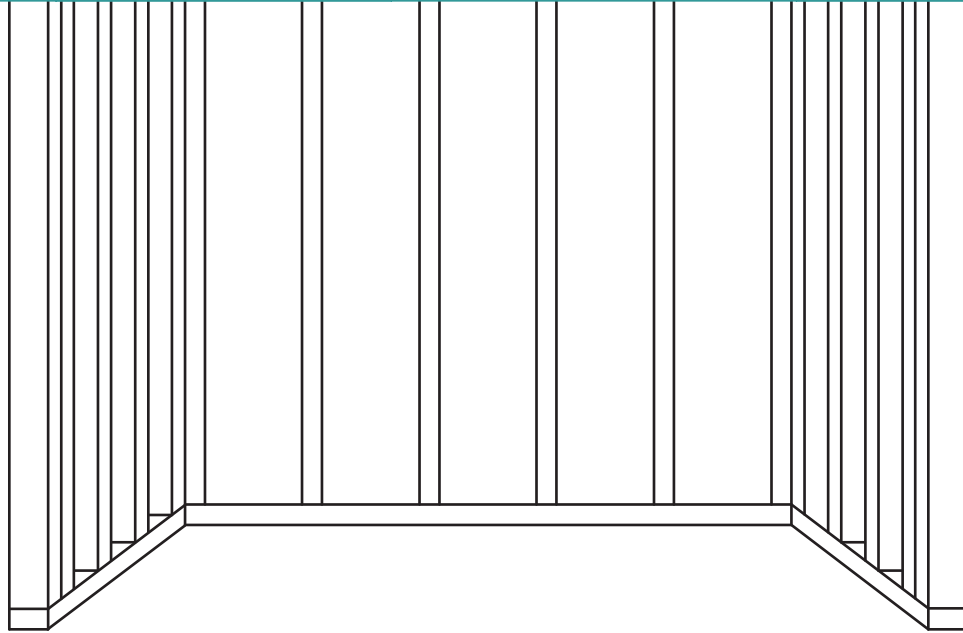
- Verify that floor is structurally sound and level, floor must be able to support the full load of the tub including water to the overflow level
- Provide access to all plumbing connections
- Observe all local building and plumbing codes



TOOLS REQUIRED

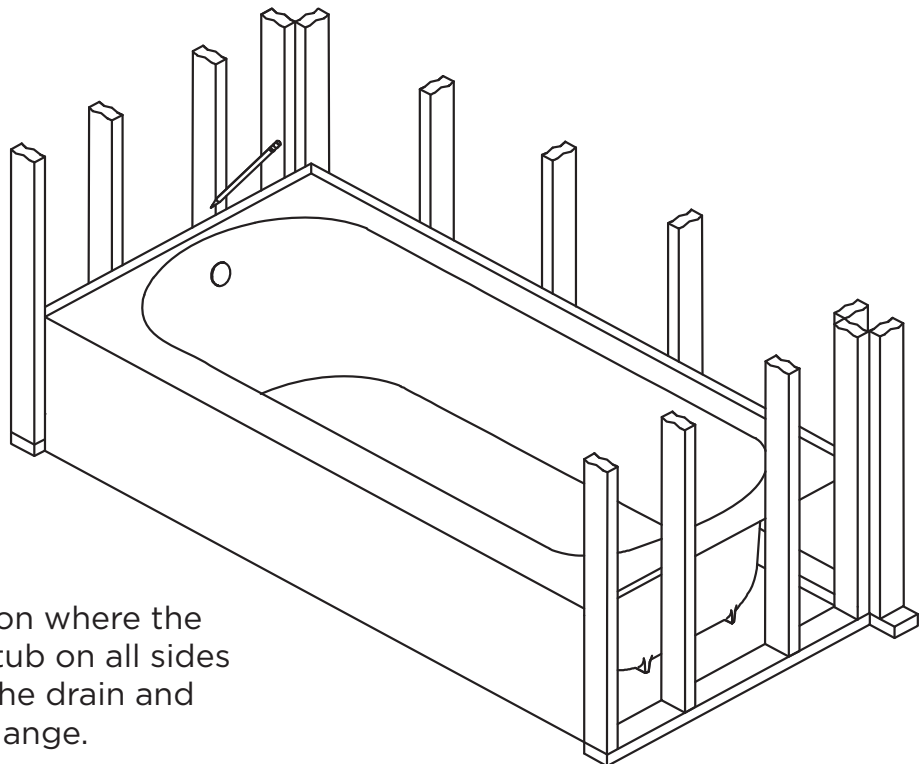


STEP 1



Prepare the area by framing the place where the tub will be installed.

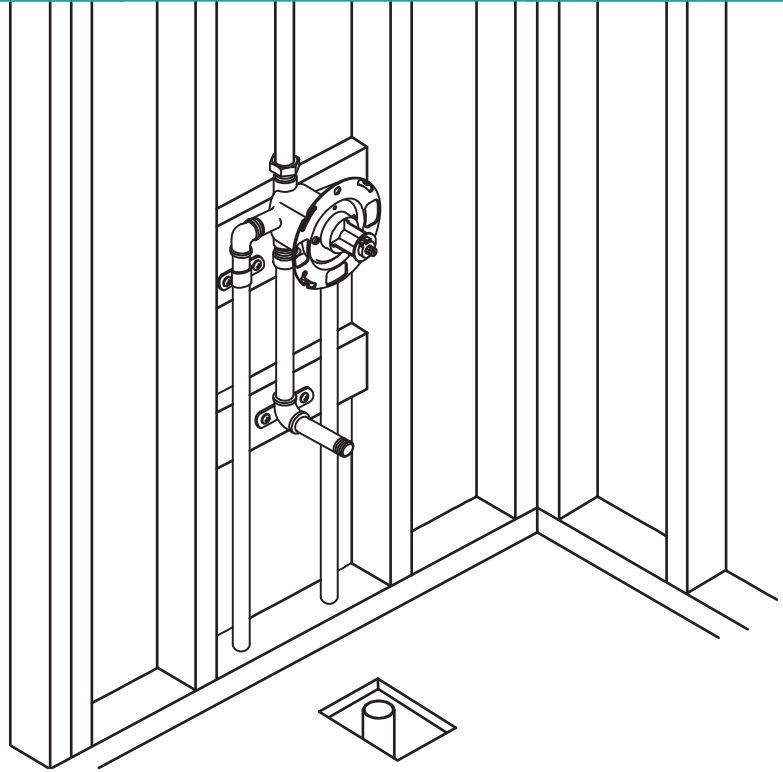
STEP 2



Place the tub at the location where the tub will be installed, level tub on all sides and mark the location of the drain and the wall studs on the tile flange.

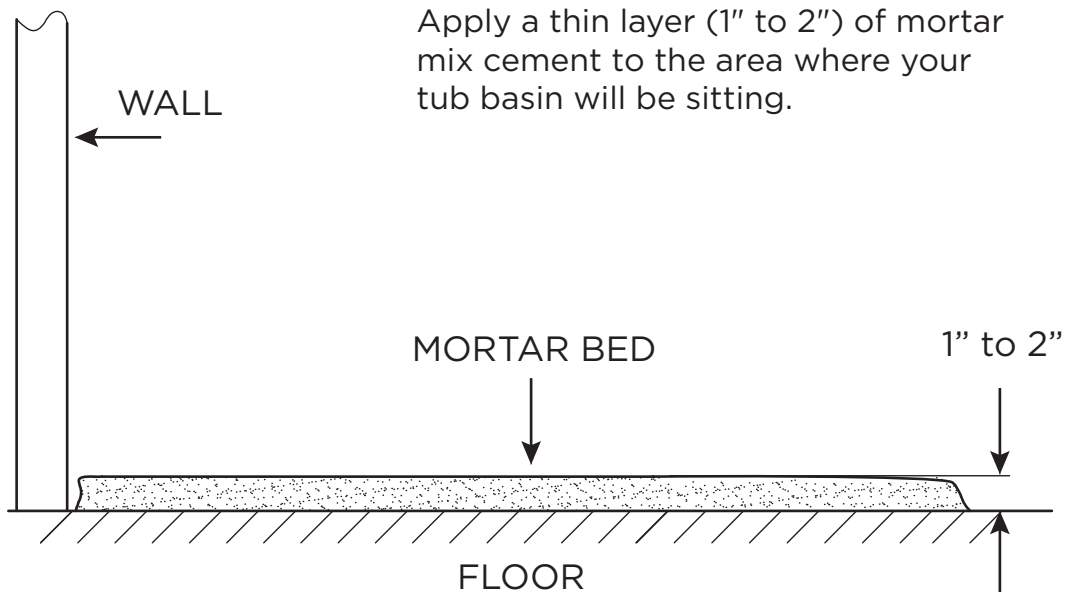
STEP 3

Remove tub and install the drain, predrill holes on tile flange at the marked location of the studs.



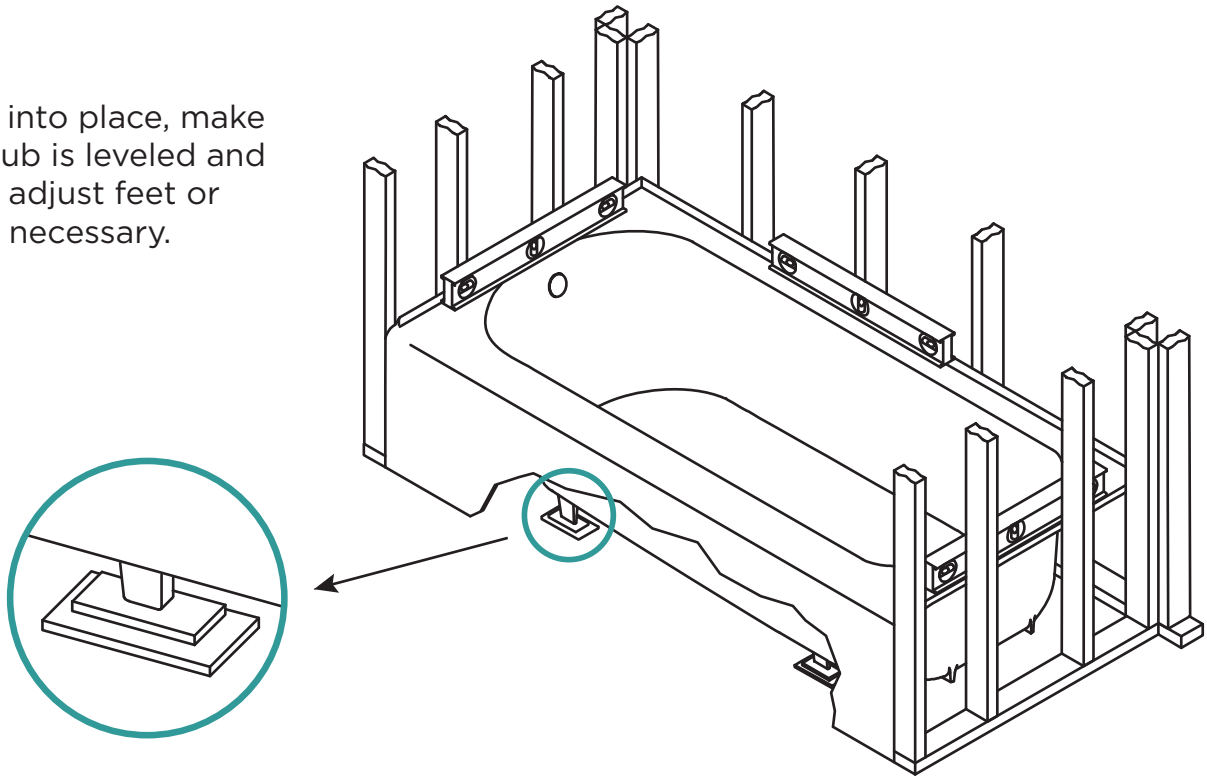
STEP 4

Apply a thin layer (1" to 2") of mortar mix cement to the area where your tub basin will be sitting.



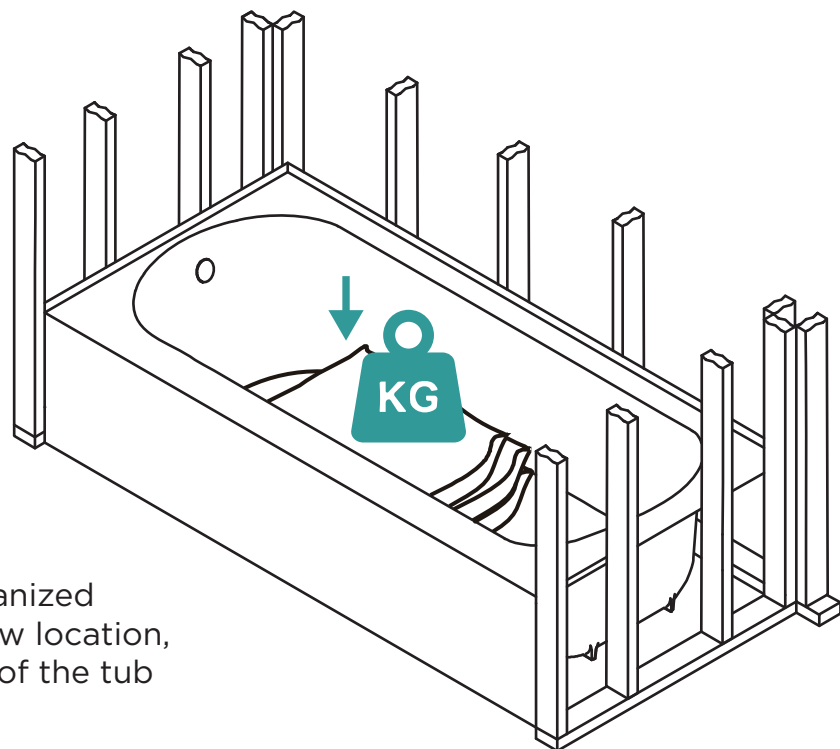
STEP 5

Move tub into place, make sure the tub is leveled and plumbed, adjust feet or shim it as necessary.

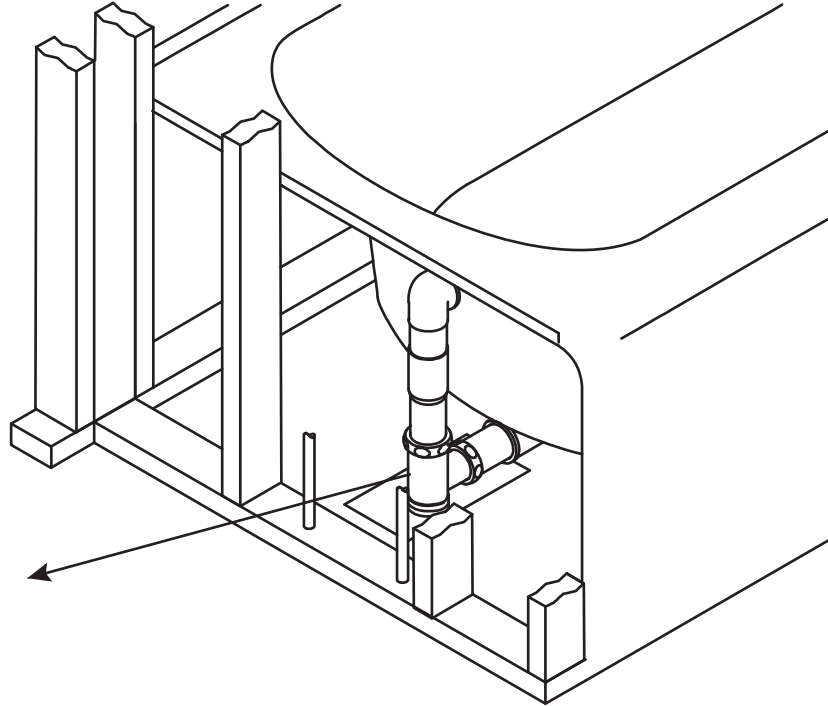


STEP 6

Secure to the wall with galvanized screws at the predrilled screw location, Apply weight to the middle of the tub until the mortar sets.



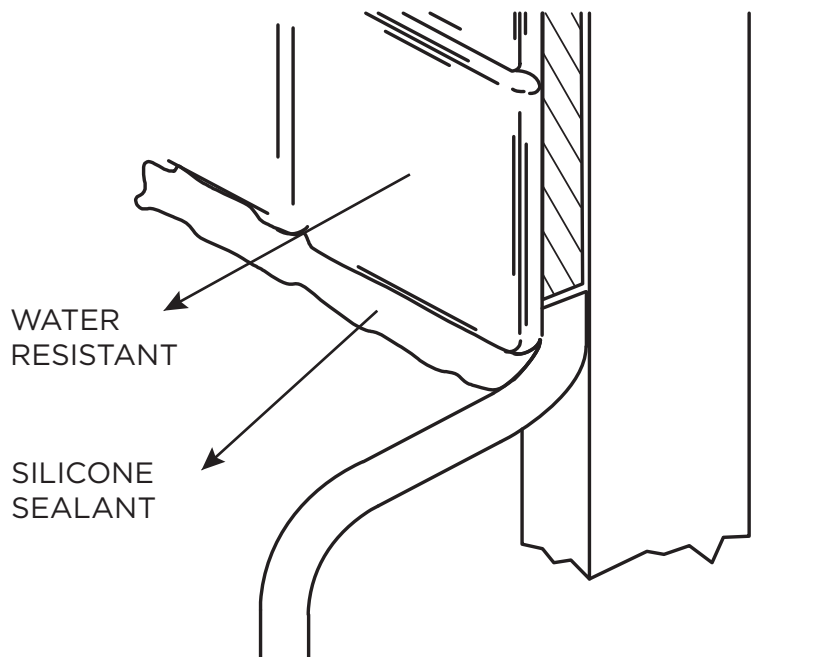
STEP 7



Connect the tub drain to your drain system.

STEP 8

Install water resistant gypsum board and finish surface material (tile, stone, etc). Seal all edges with 100% silicone to prevent water damage.



CLEANING

Clean with a damp cloth only.

Avoid using metal or abrasive polishes.

RETAIN THIS INSTALLATION MANUAL
FOR FUTURE REFERENCE.

Thank you for choosing FINE FIXTURES.